

User Guide

Latest Water Ionizer

-For Tap Water-



Thank you for purchasing our latest Water Ionizer.
Please read this instruction booklet before using it.
Please keep this instruction booklet for your reference.

Contents

1. Safety Information -----	01
2. Machine & Package Contents-----	02
3. Installation-----	03
4. Applications & Uses of Alkaline & Acidic Ionized Water-----	06
5. Overview Diagram-----	07
6. Ionized Water function-----	08
7 .Making Super Oxide Water -----	09
8 .Function Set up-----	10
9 .How to test the pH / chlorine residue -----	11
10 .Filter replacement procedure-----	12
11. Reset new filter life-----	13
12. Trouble shooting -----	14
13. FAQ -----	15
14. Limited Warranty -----	16
15. Specifications -----	17



1 . Safety Information

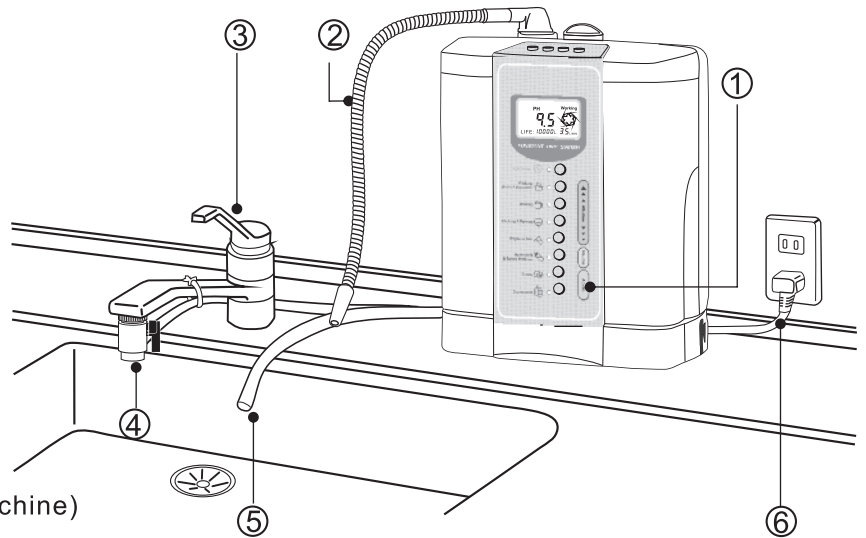
Read manual prior to installation and operation !

- Check with your health practitioner to make sure that prescribed medications for existing conditions will not be adversely affected by alkalinity.
- Your new Water Ionizer is intended as a point-of-use appliance only.
- Serious damage may result from misuse of your unit.
- Never attach any plumbing or tubing to the flexible dispensing hose.
- Your water ionizer will only operate on AC 100V- 240V . Severe damage will occur if used on incorrect line voltage.
- Never drink the acidic water from your water ionizer.
- Never operate the unit with hot water. Serious filter and water cell damage will result.
- The water ionizer is NOT intended for use on microbiologically unsafe water.
- Follow manufacturers suggested uses for pH levels. When first consuming alkaline water you may experience detoxification symptoms such as: headache, rash, diarrhea, cold or flu symptoms and/ or nausea.
- No medical claims have been made nor implied by the Manufacturer. Always see your physician at the first sign of illness. Manufacturer is not responsible for adverse effects that may result from the use, or misuse of ionized water.
- Never open the case of your unit. There are no serviceable components.
- Maintain a clean and dry area around your unit. Never allow unit to sit in standing water.
- Notify your dealer at the first sign of ionizer malfunction and discontinue use immediately.

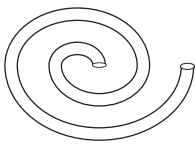
2 . Machine & Package Contents

Machine Content

- ① Control Panel
- ② Stainless Steel hose
Hose for Alkaline Water
- ③ Faucet (not included with machine)
- ④ Faucet diverter
- ⑤ Acidic Water Hose
- ⑥ Plug



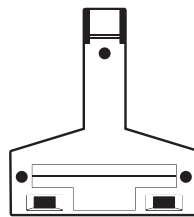
Spare parts of Water Ionizer



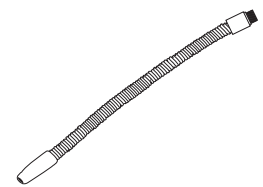
Flexible Hose



Hose Clips*3



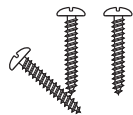
Wall Mount Bracket



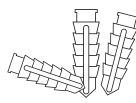
Stainless Steel Outlet Hose



Bracket Mounting Bolt



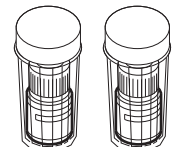
Screw*3



Plastic Insert Nail



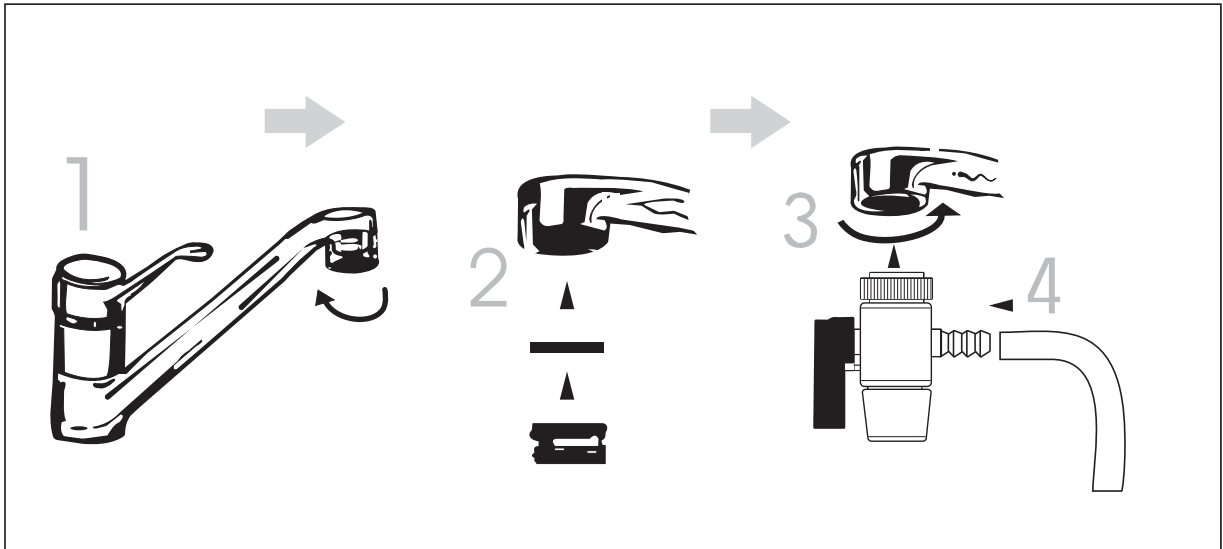
Faucet Diverter



pH test kit & Chart
& Chlorine test kit

3. Installation

A. Installation for Euro-faucet

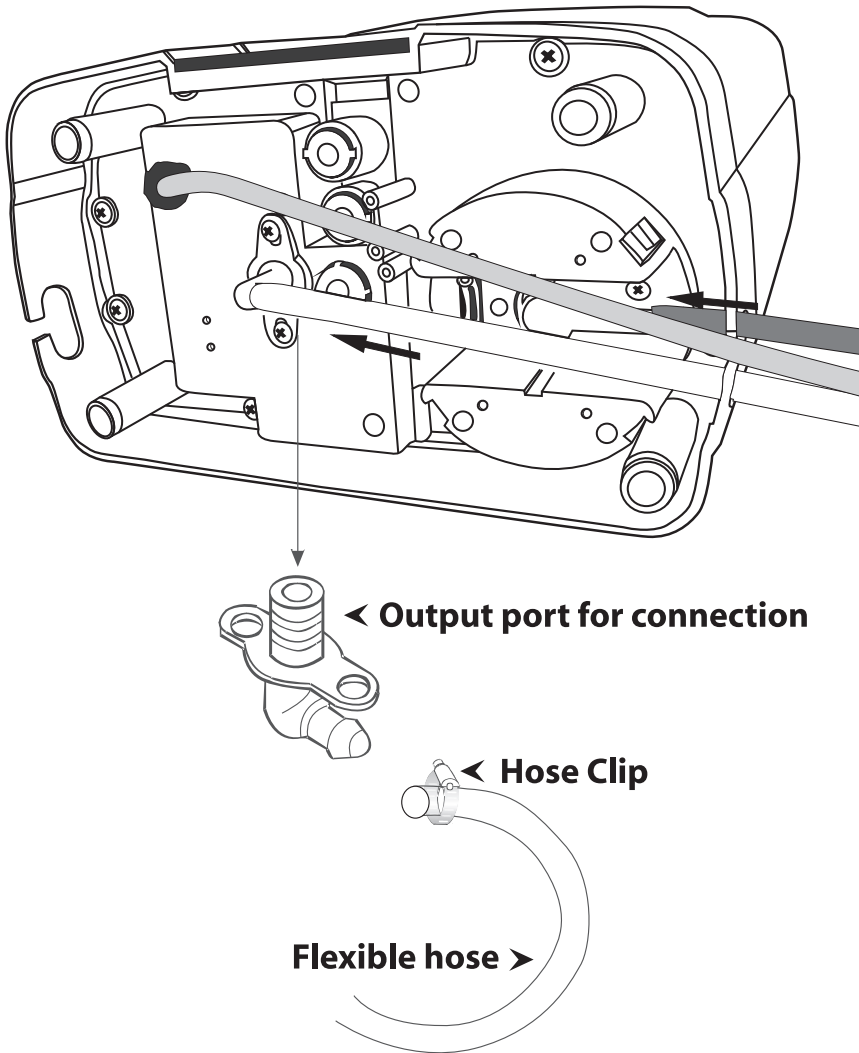


1. First, remove original Euro-faucet aerator. This is usually done without tools by rotating counter-clockwise.
2. Connect the “two-way connector” on to the Euro-faucet.
Note: make sure the O-ring is placed properly into the “two-way connector”, to prevent water leakage.
3. Connect the “faucet diverter” onto the “two-way connector”.
Note: make sure the O-ring is sitting properly in the “faucet diverter” to prevent water leakage.
4. Connect the flexible hose as indicated.

3. Installation

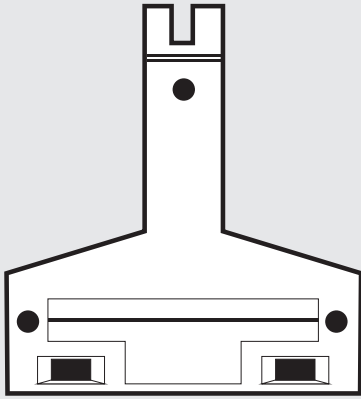
B. FLEXIBLE HOSE

Simply cut a sufficient length of hose to connect to the acidic water output port .
Allow some extra length in the event acidic water is to be collected for external or plant use.



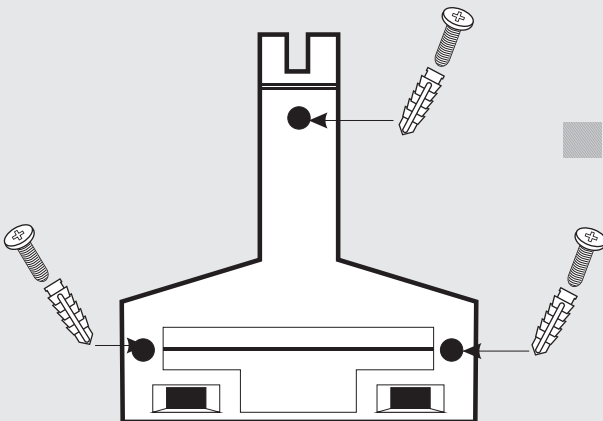
3. Installation

C. Hole template for wall-mounting



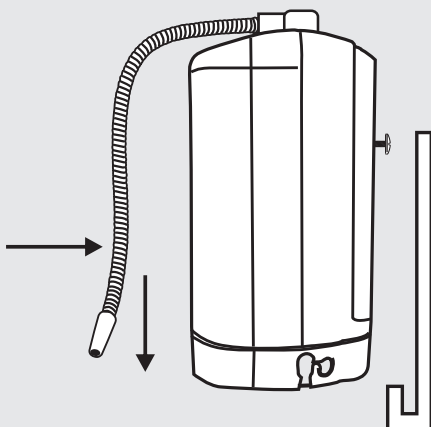
■ Remove template, find a suitable location for installation.

1



■ Drill 3 holes, and fix the template with plastic Insert Nail & screws.

2



■ Hook the unit on the template.

3

4. Applications & Uses of Alkaline & Acidic Ionized Water

ALKALINE WATER:

Other Uses Of Alkaline Water

- a) **Animals And Pets:**
 - * Can be used as drinking water to maintain their health
 - * Bathe in acidic water
 - * Healthier coat of fur
 - * Less odor in feces
 - * Helps prevent skin disease and itching
- b) **Dyeing: results in vivid colors in the dyeing of garments and other items.**
- c) **Plants/Flowers**
 - * Healthier
 - * Live longer
 - * Need less water
 - * Won't need pesticides
 - * Extends the life of flowers

PURIFIED WATER:

Purified(Neutral):pH7

Purified water contains equal concentrations of H⁺ & OH⁻ ions. Suitable to drink with medication.

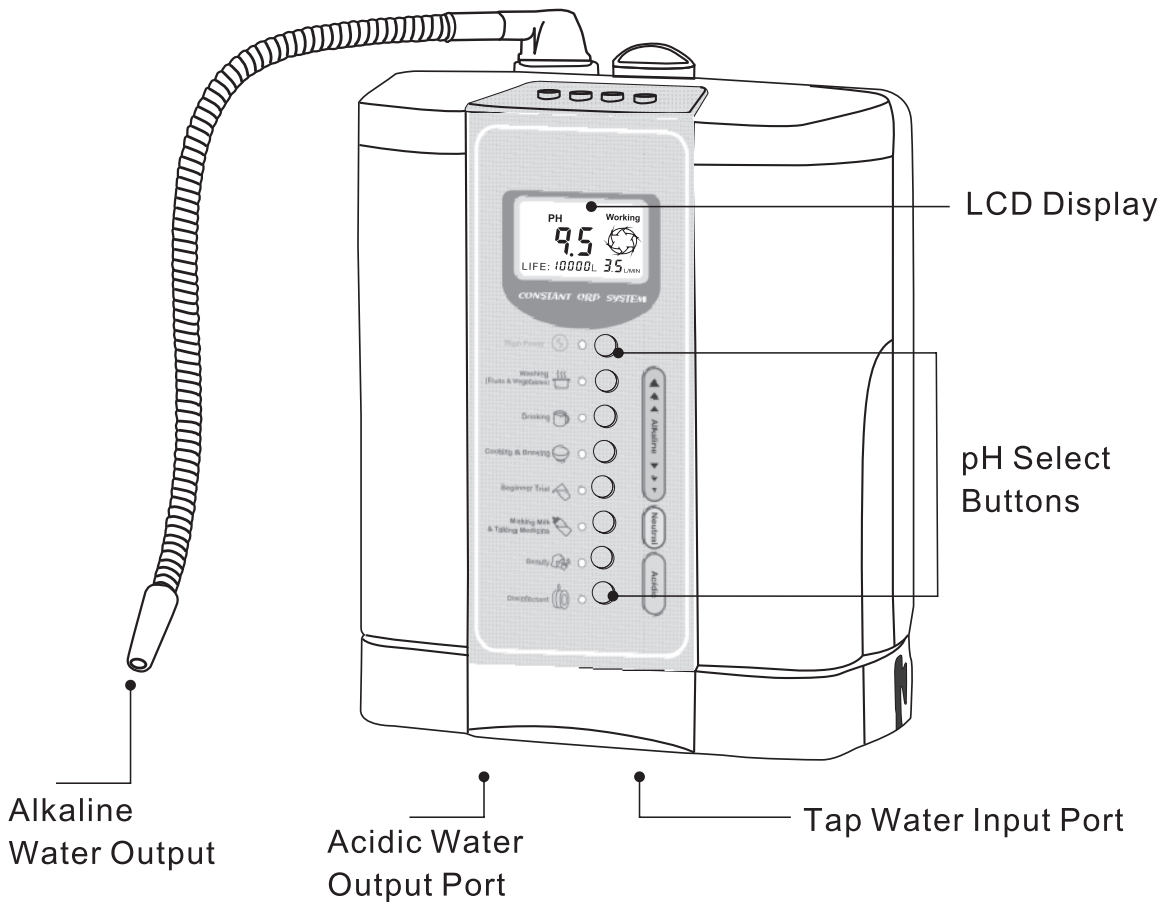
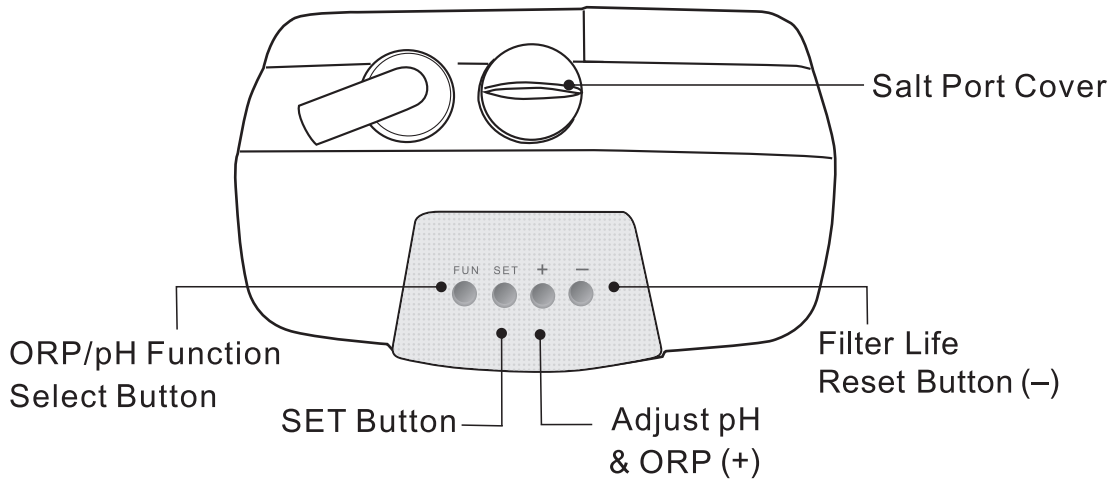
ACIDIC WATER:

Beauty and cosmetic effects of acidic water

Since acidic water has an astringent effect and a constricting action, it will tighten and smooth the skin when it is used for face washing and bathing. Acidic water is also effective in the treatment and prevention of pimples and skin spots, etc.

- a) Washing the face: acidic water makes the skin smooth, improves skin health and improves its compatibility with makeup.
- b) Shampooing: when used to wash the hair before and after shampooing, it protects the hair, prevents hair loss, dandruff, and itching, and leaves the hair soft and manageable.
- c) You can shave without shaving cream...use only acidic water.
- d) Bathing: Acidic water is effective for overall beauty and the health of your skin.
- e) Water for wiping the body: wiping the body with a towel that has been steamed in acidic water is effective for the overall beauty and health of your skin.

5. Overview Diagram



6. Ionized Water function



Super Oxide

For disinfection cleaning only. Refer to “making Super Oxide water”.

Alkaline Water:



Drinking & Washing fruits and vegetables

Level 4: pH 10.0



Drinking & Cooking

Level 3: pH 9.5



Level 2: pH 9.0



Level 1 :pH 8.5



Neutral Purified Water:

pH 7.0



Beauty

Level 1 (pH 5.5): Skin care washing



Disinfectant

Level 2 (pH 4.0): For baths or washing kitchen utensil.

7. Making Super Oxide Water

1. Remove the salt cover by anti-clockwise direction.
Take out the salt inner tube. Add cooking salt up to 80% to the little hole of tube, to produce 1000cc of super oxide water.

2. Put the salt inner tube back in proper direction.

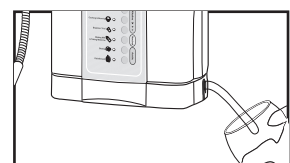
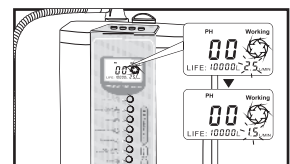
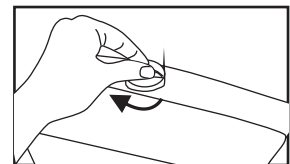
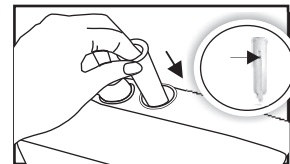
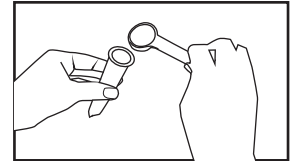
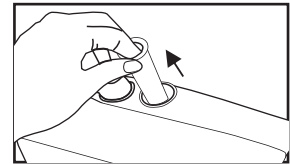
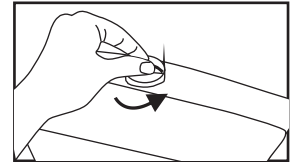
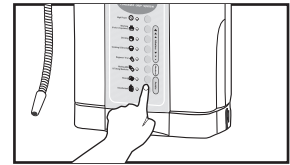
3. Replace the salt cover in clockwise direction lightly.
note : over-exerting may cause breakage of salt port.

4. Turn on the water faucet at 2.0 L/min of water flow, until water starts to flow out, then keep the flow at 1.2 L/min.

5. Super Oxide Water.
Collect the super oxide water from the acid water output tube at the bottom of ionizer.



Super Oxide water is for external use only.
DO NOT DRINK



8 .Function Set up

Function:

Do not turn on water flow. Press button to show pH/ ORP, CLN step by step.

Setup:

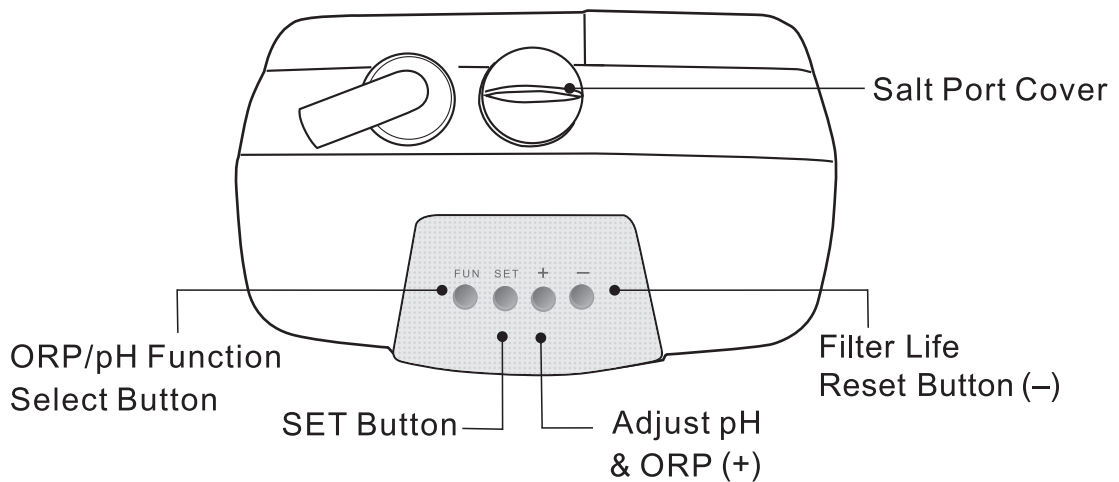
Do not turn on water flow. Press this button to reset the filter life and pH.

Adjust (+):

This button can increase the levels of pH or ORP.

Filter Life Reset (-):

When “ORP/ pH” is flashing, this button can decrease the levels of pH or ORP.
When “CLN” is flashing, this button will reset a new filter life.



9. How to test the pH/ Chlorine residue.



To test pH value of ionized water

1. Turn on water ionizer , and let it run for about 10 seconds.

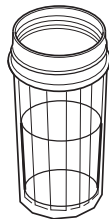
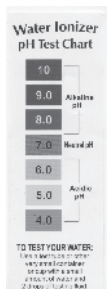
2. Collect about half vial of ionized water into the small water sample vial.



3. Add two drops of pH testing liquid into the vial.

4. Compare the water colour with the pH level color chart and get the correct pH level of the ionized water.

5. Repeat steps 1~3 with chlorine tester, to test the chlorine residue in ionized drinking water.

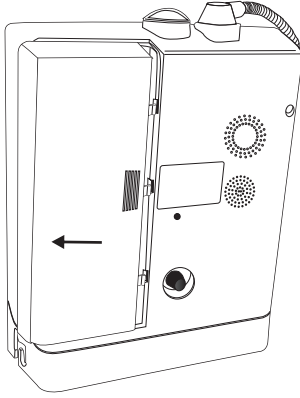


CAUTION

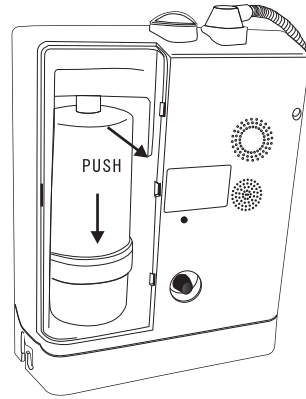
- Do not put tester liquid close to fire.
- Do not drink tester liquid or ionized water with tester liquid.
- Keep tester liquid bottles closed and out of reach of children.
- Avoid contact with eyes , if this happens, rinse thoroughly with water. Do not drink , in case this happens , drink lots of water and also consult your physician.
- After installation, check pH level.
- pH level has to be checked regularly.

10 .Filter replacement procedure

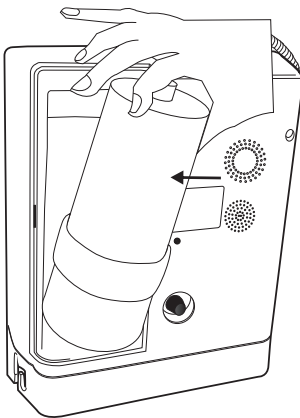
1. Remove the filter cover at the back of ionizer.



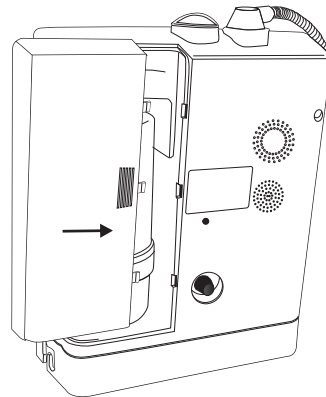
2. Gently push down the filter, pull it outward and away from the ionizer.



3. Gently push in the new filter, bottom first . Make sure the new filter is locked in properly, to avoid water leakage.



4. Replace the filter door.

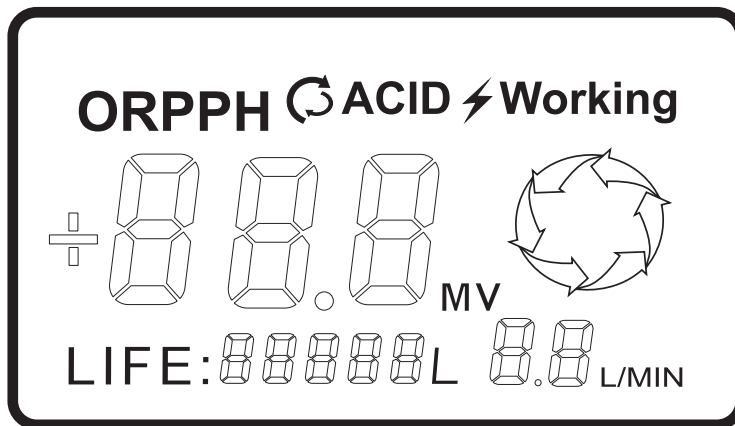


5. Reset new filter life (see next page).



When using the new filter, flush the filter cartridge by running tap water for 2 minutes. DO NOT SWITCH ON ELECTRICAL POWER DURING FILTER CLEANING.

11. Reset new filter life



1. Replace new filter (see previous page).
2. Switch on the electrical power, but do not turn on water.
3. Press the FUN button until the LCD screen reads "CLN".
4. Then press the SET button once. The "CLN" starts flashing.
5. While the CLN is flashing on the screen, press the "FILTER RESET (-)" button once. The new filter life is now reset properly.

12. Trouble shooting

Phenomenon	Why	How
Reducing water flow and water pressure	Clogged filter	Replace new filter
	Blocked flexible hose	Straighten the hose
Bad odor	Filter life expires strong electronic power	Replace new filter Try lower pH setting
Mineral particles in water	Precipitation of alkaline minerals	Let ionizer make some acid water
After replacing new filter, the filter life screen is still empty	Forget to set filter life	Reset filter life (See reset new filter life)
LCD turn off suddenly	The unit has power saving mode, 20 seconds after using, the LCD will shut down automatically	Turn on the faucet, the LCD will start again

13. FAQ

Q1 What is the white powder which sticks to the cup or kettle?

A1: This white powder is alkaline forming minerals which contains Calcium, Magnesium, Sodium, Potassium, Iron and Manganese. The white powder will appear after boiling the alkaline water and it will also gather at the bottom and sides of cups used for drinking alkaline water. This is not harmful to the body. To remove the mineral deposits, use white vinegar.

Q2 What kind of water should be used as the source for my ionizer ?

A2: Normal city tap water can be used. Water must have minerals such as Calcium, Magnesium, Potassium, etc. (DO NOT USE , REVERSE OSMOSIS , SOFTENED OR DISTILLED WATER!)

Q3 Do I have to unplug the unit if I don't use the unit over one week?

A3: You may unplug the unit and remove the filter. Store the filter in a clean plastic bag in the refrigerator, not the freezer. When ready to use the Ionizer again replace the filter in the unit and run the "acidic water" for about 1 minute then alkaline water for 3 minutes before consuming alkaline water.

Q4 Why is the water so cloudy?

A4: These are hydrogen bubbles created naturally during the ionization process. They are natural powerful antioxidants.

Q5 Can we take medicine with alkaline water ?

A5: Some medications may be affected, contact your health practitioner when in doubt.

Q6 Can newborn babies drink alkaline water?

A6: Yes.

Q7 What does the acidic water do?

A7: Acidic water is for germ killing, cleansing, sterilizing and healing. This is caused by the very low pH (3.5 - 5). Due to the low pH, acidic water kills bacteria on contact.

Q8 How much alkaline water should you consume every day?

A8: We recommend drinking at least one quart of alkaline ionized water for every 30 pounds of body weight. Work up to this gradually, and exceed this formula if possible to gain the most benefits from consumption of alkaline ionized water.

14. Limited Warranty

A. What the Warranty Covers:

We warrant the ionizer to be free of any manufacturers' defects with the material and workmanship during the warranty period. If a product proves to be defective during the warranty period, we will repair the unit with replacement products or parts.

B. Terms of the Warranty:

The warranty is for one year on all parts and labor, limited to defects in materials and manufacturing only, and only for non-commercial use. Repair or replacement will be the option of your local dealer. Customer must contact their local dealer for a Return Authorization Number before items will be accepted for repair during the warranty period. Insured shipping costs are the customers responsibility.

C. Warranty Exclusions :

- I. Any product on which the serial number has been defaced, modified or removed.
- II. Damage, deterioration or malfunction resulting from :
 - a. Accident, misuse, neglect, fire, water, lightning, or other acts of nature, unauthorized product modification, mishandling or failure to follow instructions supplied with the product.
 - b. Repair or attempted repair by anyone un-authorized .
 - c. Damage of the product after customer signed and received in good order and condition, upon delivery.
 - d. Removal or installation of the product.
 - e. External causes to the product, such as electric power fluctuations or failure.
 - f. Use of supplies or parts not meeting our specifications.
 - g. Normal wear and tear.
 - h. Any other causes which do not relate to a product defect.
 - i. Discoloration due to internal or external cleaning of the ionizer.

DISCLAIMER: Although water ionizers are certified as medical devices in some countries, the statements enclosed have not been evaluated by the U.S. Food and Drug Administration. This User Guide, nor any statements made by your local dealer or distributor regarding the consumption of alkaline ionized water, are not intended to diagnose, treat, cure, or prevent any disease. Information and statements made are not intended to replace the advice of your physician.

Neither the manufacturer, distributor nor your local dealer are responsible for typographical errors.

15. Specifications

Voltage	AC100~240V/ 50~60Hz
Electricity	DC 2A-6A
Power Consumption	75W
Method	YS Patented pH & ORP constant output
Fuse Protected	4 A
Dimensions	(W)250 x (H)330 x (D)140 mm
Filtration Capacity	10,000 Liters
Chlorine Removal	< 0.0001ppm 99.9999%
Water Temperature	39 degrees to 98 degrees Fahrenheit (4 degrees to 39 degrees Celsius)

Note: The chlorine and 10000 Liters will be affected by different water sources and maintenance of the water ionizer.

* Depending on source water.